

# BExL25/BExDL25 PA Loudspeakers 25W

The flameproof BExL25 PA loudspeakers are suitable for Zone 1 & Zone 2 applications and the BExDL25 sounders also for Zone 21 & 22.

The BEx range features enclosures manufactured from corrosion proof, marine grade copper free LM6 aluminium which is phosphated and powder coated.

The re-entrant flare horns are high impact, fire retardant ABS. All models have two M20 cable entries, large termination areas containing in & out terminals (Ex de version only) and an ingress protection of IP66/67 (Ex d) and IP66 (Ex de).

An independent test report is available on request, or online, detailing the performance of the BEx loudspeaker range.

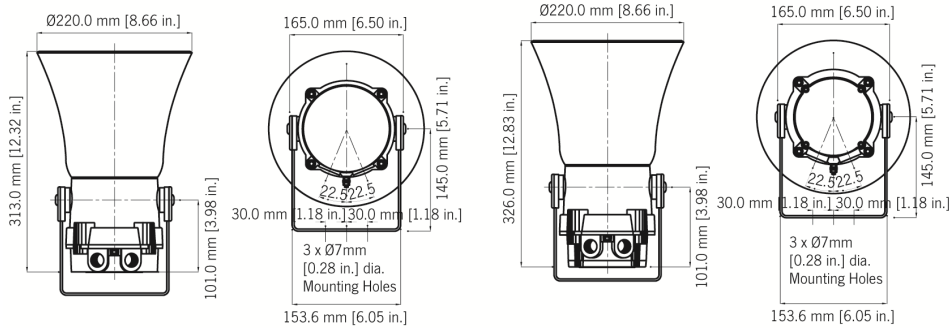
## Features

- Very large termination area.
- Ratchet adjustable stainless steel 'U' bracket.
- IN & OUT terminals (Ex de version only).

## Approvals

- ATEX certificate: KEMA 99ATEX6312, EN 60079-0 : 2006, EN 60079-1 : 2007, EN 60079-7 : 2003, EN 61241-0 : 2006, EN 61241-1 : 2004
- IECEx certificate: IECEx KEM 10.0003, IEC 60079-0 : 2004 (Ed4), IEC 60079-1 : 2007 (Ed6), IEC 60079-7 : 2001 (Ed3), IEC 61241-0 : 2004 (Ed1), IEC 61241-1 : 2004 (Ed1)
- GOST-R certificate: POCC GB.JB05.B03365
- Safety integrity suitability: SIL1
- Inmetro certificate: 10IEx-0009





## Specification

SPL: 105dB +/-3dB @ 1w @ 1m (Pink)  
119dB +/-3dB @ 25w @ 1m (Rated)

Rated power: 25 Watts RMS

70v line tapings: 25w / 12.5w / 6w / 2w tapings  
(z=196 Ohms /392 Ohms /  
816.67 Ohms / 2.45k Ohms)

100v line tapings: 25w / 12.5w / 6w / 2w tapings  
(z=400 Ohms /800 Ohms /  
1.67k Ohms / 5k Ohms)

Low impedance: 8 Ohm or 16 Ohm

Dispersion: 130° @ 1kHz & 32° @ 4kHz

Frequency range: 300Hz to 8000 Hz

DC Line monitoring: 2.2µF Capacitor (Transformer)  
470µF Capacitor (Impedance)

Ingress protection: L25D : IP66/67 L25E : IP66

Housing material: Marine grade copper free  
LM6 Aluminium

Housing finish: Phosphated & powder coated finish - anti-corrosion.

Colour: RAL3000 Red  
(others available on request)

BExL25 flare: High impact UL94 V0  
& 5VA FR ABS (Red)

BExDL25 flare: Anti-Static High impact ABS (Black)

Cable entries: Dual M20 ISO (one stopping plug inc)

Terminals: 0.5 to 2.5mm<sup>2</sup> cables.

Weight: 70/100V line: 3.95kg/8.69lbs  
Low imp.: 3.56kg/7.83lbs

## Part Codes

### Part Code:

BExL25D\*\*

### Classification:

ATEX / IECEx:  
II 2G Ex d IIB T4 Ta. -50° to +70°C  
II 2G Ex d IIC T4 Ta. -50° to +55°C

GOST-R:  
1ExdIICT4 Ta. -50° to +55°C

BExL25E\*\*

ATEX / IECEx:  
II 2G Ex de IIB T4 Ta. -50° to +70°C  
II 2G Ex de IIC T4 Ta. -50° to +55°C

GOST-R:  
2ExdeICT4 Ta. -50° to +55°C

BExDL25D\*\*

ATEX / IECEx:  
II 2G Ex d IIB T4 Ta. -50° to +70°C  
II 2G Ex d IIC T4 Ta. -50° to +55°C  
II 2D Ex tD A21 IP67 T115  
based on a max. Ta. of 70°C

GOST-R:  
1ExdIICT4 Ta. -50° to +55°C T100°C  
DIP A21 Ta T4

BExDL25E\*\*

ATEX / IECEx:  
II 2G Ex de IIB T4 Ta. -50° to +70°C  
II 2G Ex de IIC T4 Ta. -50° to +55°C  
II 2D Ex tD A21 IP66 T115  
based on a max. Ta. of 70°C

GOST-R:  
2ExdeICT4 Ta. -50° to +55°C  
DIP A21 Ta T4

\*\*\*\* = type reference:

Options: 70V 70V Line transformer  
100V 100V Line transformer  
8R 8 Ohm low impedance  
16R 16 Ohm low impedance

e.g: BExL25D100V