

FEATURES

- **One Programmable Releasing Output**
- **Three Independently Programmable Class B, Style Y Notification Appliance Circuits**
- **FM-200®, FE-13™, CO₂, HALON, Dry and Wet Chemical Compatible**
- **Sprinkler Release Compatible**
- **Compatible with Solenoid-Type Releasing Devices**

DESCRIPTION

The unique Agent Release Module provides the Kidde® PEGAsys™ system with one programmable release circuit and three Class B, Style Y notification appliance circuits. The release circuit is compatible with all Kidde solenoid-based suppression systems. The release circuit is also compatible with most popular sprinkler solenoids for sprinkler release applications. Each circuit can be programmed for single or crossed-zone operation from any defined group of initiating devices. With programmable time delay and abort sequences, the system can be tailored to application-specific requirements.

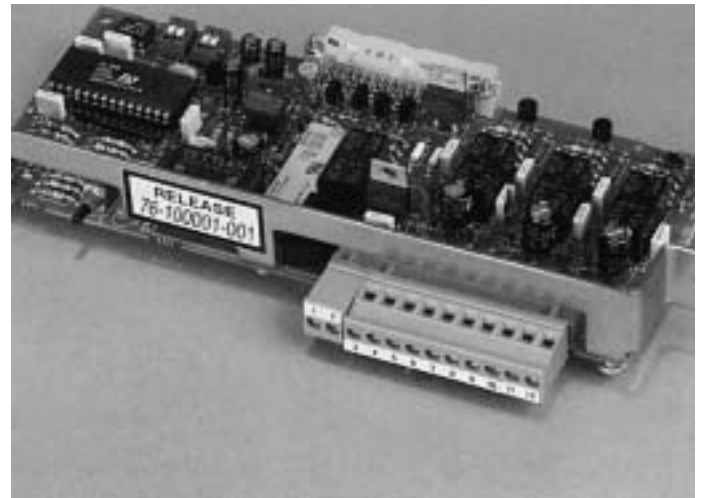
The release circuit's "output on" interval is programmable. Ninety second, on until reset, and ten or fifteen minute soak options are available. The release circuit is capable of activating two solenoid devices for multiple-container applications.

The release output and the three notification appliance output circuits are protected with self-restoring fuses, which provide protection from short circuit conditions. Each notification appliance circuit is supervised for open-and short-circuit conditions. The release circuit is supervised for open circuit conditions. Upon occurrence of an open circuit condition in the release circuit wiring, the system will display an "Agent Release Open" trouble message. In the case of a notification appliance circuit open or short condition, the system will display the appropriate trouble message.

The release modules connection to the system is supervised by the CCM. In the event of module removal, the system would display a module communication trouble condition.

INSTALLATION

The Release Module is housed and secured in the I/O Motherboard Assembly. A maximum of eight release modules may be installed in the system.



TECHNICAL INFORMATION

- Release Output Rating: 2 Amps @ 24Vdc
Supervisory Current: 25 mA, each module
Alarm Current: 140 mA, for the programmable output interval
- Notification
Circuit Rating: 2 Amps @ 24 Vdc (each circuit)
Release Output Type: Solenoid-Constant, 10 min. or 15 min. soak, 90 Seconds
- Operating Temperature: 32°F to 120°F

ORDERING INFORMATION

Part Number	Description	Weight
76-10001-001	Release Module	1 lb.

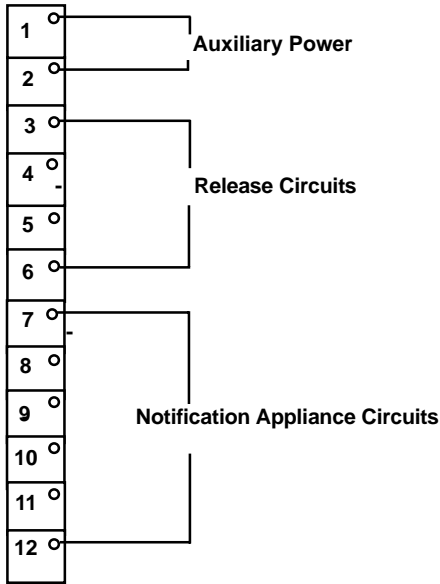


Figure 1. Relay Module Wiring Diagram

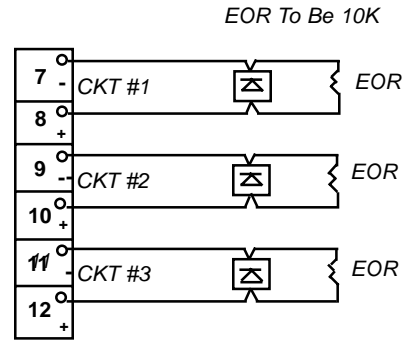


Figure 3. Notification Appliance Circuits

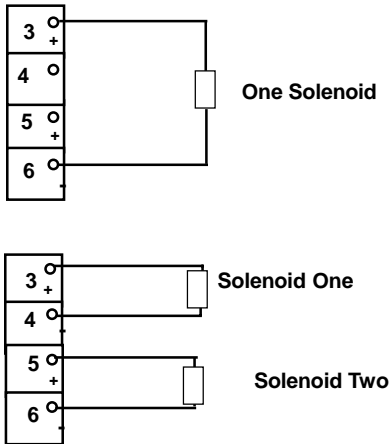


Figure 2. Release Solenoids

Kidde is a registered trademarks of Kidde-Fenwal, Inc.
 PEGAsys is a trademark of Kidde-Fenwal, Inc.
 FM-200 is a registered trademark of the Great Lakes Chemical Corporation.
 FE-13 is a trademark of DuPont.

This literature is provided for informational purposes only. KIDDE-FENWAL, INC. assumes no responsibility for the product's suitability for a particular application. The product must be properly applied to work correctly.
 If you need more information on this product, or if you have a particular problem or question, contact KIDDE-FENWAL INC., Ashland, MA 01721. Telephone: (508) 881-2000



400 Main Street
 Ashland, MA 01721 USA
 Tel: (508) 881-2000
 Fax: (508) 881-8920
<http://www.kiddefiresystems.com>