

Addressable Contact Input Device

74-214

SmartOne™

FEATURES

- INTERFACES AND SUPERVISES WIRING OF STANDARD FIRE ALARM DEVICES
- SUPERVISION
- REMOTE LED
- FIELD PROGRAMMABLE
- ALARM TEST
- NONPOLARIZED LOOP CONNECTION
- UL LISTED
- FM APPROVED

DESCRIPTION

The **SmartOne™** Addressable Contact Input Device (AI) is an intelligent field device with its own microprocessor, 4K of memory and electronics necessary to interface standard contact type fire alarm devices to **SmartOne™** compatible Central Control Panels. All of the electronics are contained in a small high impact polymer case, creating a very small and durable device for installation. These features also allow the AI to be easily installed in virtually all applications.

Two types of AI's are available: an AI/NC for interfacing to Normally Closed devices and an AI/NO for interfacing to Normally Open devices. The AI may be located up to 2500 feet from the device with 20 AWG wiring, and an end-of-line-resistor is required for supervision of the wiring to the device.

FIELD PROGRAMMING

System Address, Owner Location Message, and Reporting Type are field programmable via system keypad at the jobsite or remotely via modem with a standard terminal.

The System Address is a 4-digit number which uniquely identifies each device. The Owner Location Message is a 40-character, alpha numeric message which typically describes the location of the device. The Reporting Type is assigned to the AI depending on the status and priority of the device being monitored.

SUPERVISION

The AI continuously monitors the integrity of the following:

- *Continuity of supervised wiring*
- *Power/Communications circuit voltage*



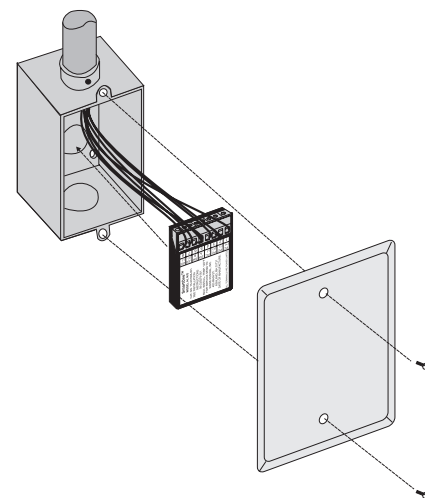
- *Internal power supply*
- *Memory data*
- *Faulty entering of data into AI memory*

FAILSOFT OPERATION

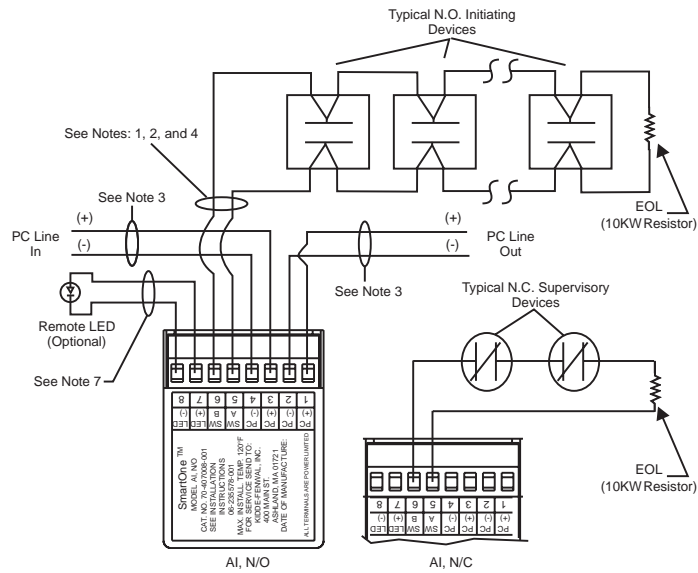
Should there be a failure in the communication link between the AI and the Control Unit or should the Control Unit fail, the AI is capable of reporting a Zone Alarm for that trunk and initiating a General Alarm signal. During a General Alarm all relay outputs on the trunk will be activated.

STATUS LED

A Remote Status LED P/N 70-410001-000 may be connected to the AI. A slow flash rate of approximately 9 seconds indicates a Normal condition, a fast rate indicates Alarm, and no flash indicates Trouble condition.



WIRING DIAGRAM



ALARM TEST

Any or all AIs can be tested by command from the Central Control Panel. Results of the test may be printed out at the system printer.

INSTALLATION

The AI can be mounted in a North American 2-1/2" (64 mm) deep 1-gang box, or standard 4" square box 1-1/2" (38 mm) deep with cover. The terminal block will accept #14, 16 and 18 AWG wire (1.5 mm², 1.0 mm², 0.75 mm²).

SPECIFICATIONS

Input Voltage:	16.5 - 27.5 VDC
Standby Current:	450 μA Max
Alarm Current:	450 μA Max
Max. No. Of Devices per Communication Circuit:	255
	(Will support all devices in alarm simultaneously)
Operating Temperature:	-31 - 151°F (-35 - 66°C)
	0 - 95% RH
LED Pulse Modes	
Normal:	9 second interval
Trouble:	LED is off
Alarm:	2 second interval

NOTES

1. Maximum 25 Ω resistance per conductor/ 50 Ω per circuit
2. Max. #14 AWG (1.5 mm²) wire:
Min. #18 AWG (0.75 mm²) wire
3. Refer to Control Panel Manual for wiring specification.
4. Maximum 10 VDC @ 1 mA.
5. All wiring is power limited and supervised.
6. This module will not support 2-wire smoke detectors.
7. Rating on LED circuit: 26 VDC Max., 7mA Max. If not used leave terminals open circuit.
8. N/O and N/C initiating device circuits are NFPA Class B/Style B.
9. AI N/C is intended for non-fire applications.

WARNING: Operation outside specifications could result in failure of the SmartOne™ product and other equipment with injury to people and property. Specifications subject to change without notice. Contact Kidde-Fenwal before relying on above specifications.

ORDERING INFORMATION

Part Number Description

70-407008-001	Addressable Contact Input Device N.O.
70-407008-002	Addressable Contact Input Device N.C.
70-411001-005	Package of 10 End-of-Line Resistors

ARCHITECTURAL/ENGINEERING SPECIFICATIONS

For specifications request a copy of the Architectural/Engineering Specification Disk: Available from Kidde-Fenwal Marketing Dept., on IBM formatted diskette. This disk includes files in ASCII Text, Word for Windows 6.0 and WordPerfect 5.X formats.

SmartOne™

KIDDE-FENWAL, INC.
400 MAIN STREET, ASHLAND, MA 01721
TEL: (508) 881-2000 FAX: (508) 881-8920

This literature is provided for informational purposes only. KIDDE-FENWAL, INC. assumes no responsibility for the product's suitability for a particular application. This product must be properly applied to perform as described herein.
If you need more information on this product, or if you have a question, contact KIDDE-FENWAL, INC., Ashland, MA 01721. (508) 881-2000.