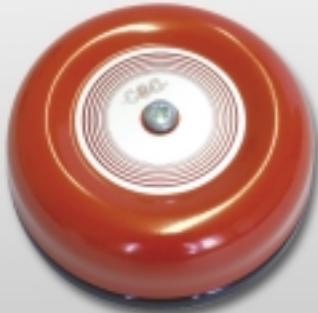


SERIES GONG



Fire alarm bell

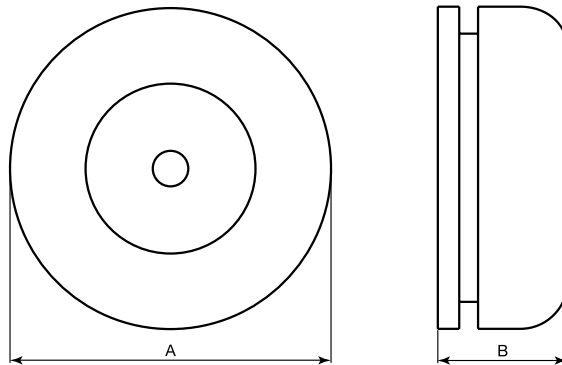
- Indoor use
- Steel dome
- High-yield motor
- Low current consumption on 24V DC
- 4", 6" diameters
- 12 or 24V DC power supply

Combining good styling with functional efficiency, a range of motorised bells suitable for most fire alarm and security applications. This range of motorised bells incorporates a highly efficient rotatory centrifugal movement combining high sound output with low current consumption, especially for 24V DC versions.

Available with a choice of 4" and 6" gongs to suit a wide range of installation requirements, the 4" bell is ideal for use in hotel bedrooms where a sound level of 75 dB(A) is required at the bedhead. All bells have centre gong disk which can be customised by printing a company name or logo.

GENERAL SPECIFICATIONS

Dome material	Enameled steel, red color
Base material	Polycarbonate, black color
Connection type	4 x 2.5 mm ² terminals
Operating temperature	-10°C to +50°C
Protection degree	IP 42
Packaging	1 pcs./package



ORDER CODES

Code	Rated voltage	Rated current	Allowed voltage	Acoustic output @ 1 m	Diameter A	Height B	Package weight	Notes
4474-12	12V DC	100 mA	8 to 16V DC	84 dB	110 mm	55 mm	0,45 kg	4 inches
4474-24	24V DC	25 mA	18 to 30V DC	84 dB	110 mm	55 mm	0,45 kg	4 inches
4476-12	12V DC	100 mA	8 to 16V DC	93/95 dB	150 mm	60 mm	0,85 kg	6 inches
4476-24	24V DC	25 mA	18 to 30V DC	93/95 dB	150 mm	60 mm	0,85 kg	6 inches

BELLS