

SERIES BEACONS

Xenon beacon

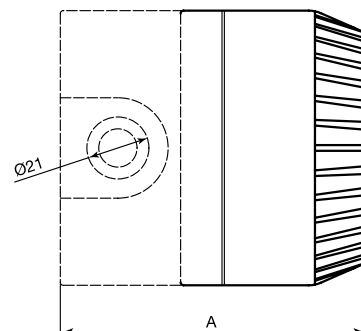
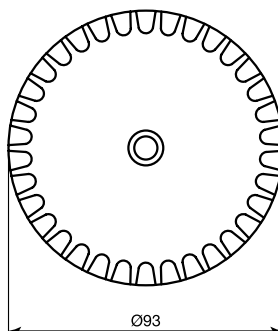
- No switch on current surge
- No more blowing fuses
- ACM (Active Current Management) circuitry to reduce current consumption
- Built in terminal block saves expense of external terminal boxes
- IP 65 when used with a deep or "U" base
- Choice of clear, red, amber, blue, or green lenses

The Beacons have been designed to overcome the problems of high current pulses commonly associated with conventional xenon flash tube units. All versions have SCS (Surge Current Suppression) to eliminate the need for heavy duty power supplies and to prevent fuses failing. The Beacons are base compatible with both the Roshni sounders and Flashni combined beacon-sounders and are suitable for internal or external use.

The Xenon beacons have been designed to complement other products in the range both technically and aesthetically. The beacons will mount neatly onto a Squashni base sounder to provide a low profile sounder/beacon. Similarly the beacon can be supplied coupled to a Roshni electronic sounder to provide a high output audio visual unit. The beacons have a built in terminal block for ease of installation and utilise the same range of bayonet fitting bases as other products in the range. A range of lens colour is available which must be specified when ordering as they are not interchangeable. Beacons for use in hazardous areas are also available, for the full specifications and details please see page 53.

GENERAL SPECIFICATIONS

Base material	Thermoplastic
Cover material	Polycarbonate
Connection type	(4) double terminals for shunting (6 terminals for code 4482 AT)
Operating temperature	-20°C to +55°C
Packaging	1 pcs./package



ORDER CODES

Code	Rated voltage	Rated current	Allowed voltage	Lamp	Flashlight frequency	Height A	Base color	Cover color	IP degree	Package weight	Notes
4480	24V DC	45 mA	20÷30V DC	0,65 J Xeno	60 / min	72 mm	Red	Red	IP 54	0,30 kg	
4480-12	12V DC	90 mA	10÷15V DC	0,65 J Xeno	60 / min	72 mm	Red	Red	IP 54	0,30 kg	
4481	24V DC	45 mA	20÷30V DC	0,65 J Xeno	60 / min	105 mm	Red	Red	IP 65	0,34 kg	
4482	12V DC	90 mA	10÷15V DC	0,65 J Xeno	60 / min	72 mm	White	Orange	IP 54	0,30 kg	
4482 AT	12V DC	90 mA	10÷15V DC	0,65 J Xeno	60 / min	72 mm	White	Orange	IP 54	0,30 kg	With anti-tampering
4482 B	12V DC	90 mA	10÷15V DC	0,65 J Xeno	60 / min	72 mm	White	Blue	IP 54	0,30 kg	
4482 G	12V DC	90 mA	10÷15V DC	0,65 J Xeno	60 / min	72 mm	White	Green	IP 54	0,30 kg	
4482-24	24V DC	45 mA	20÷30V DC	0,65 J Xeno	60 / min	72 mm	White	Orange	IP 54	0,30 kg	
4482-24 B	<i>like 4482-24 with blue cover</i>										
4483	12V DC	90 mA	10÷15V DC	0,65 J Xeno	60 / min	105 mm	White	Orange	IP 65**	0,34 kg	
4483 B	12V DC	90 mA	10÷15V DC	0,65 J Xeno	60 / min	105 mm	White	Blue	IP 65**	0,34 kg	
4483 G	12V DC	90 mA	10÷15V DC	0,65 J Xeno	60 / min	105 mm	White	Green	IP 65**	0,34 kg	

** To obtain IP65 use suitable cable gland

BEACONS